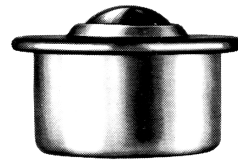
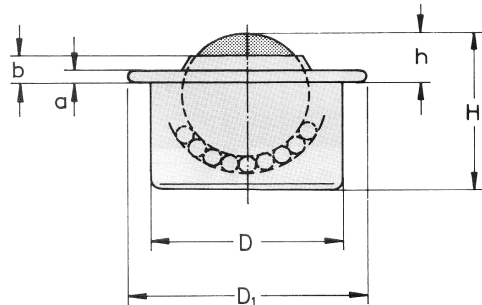


Ball Transfer Units for your Ball Caster Table

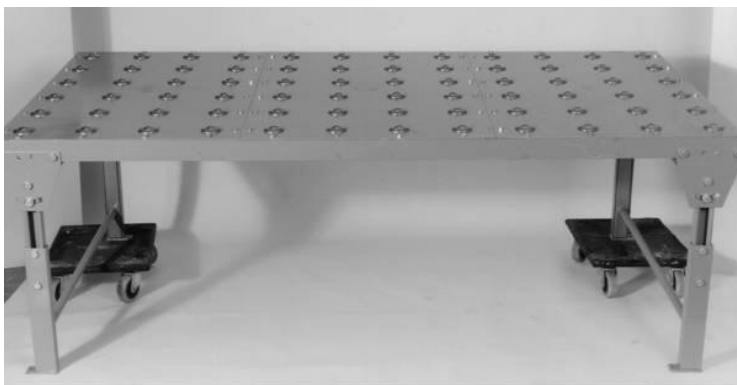
Example: Sheet Steel, size 15, 22



big ball	small ball	housing	ball \varnothing	technical data	D	D1	h	H	a	b	weight load-	capacity
					mm	mm	mm	mm	mm	mm	g	kg
15 mm	00.151.00	zincd steel $\pm 0,08$	24	31	9,5	20,7	2,8	4,8	40	50		
22 mm	00.221.00	zincd steel $\pm 0,08$	36	45	9,8	29,5	2,8	5,5	128	150		

subject to changes

Our standard Ball Transfer Unit type sheet steel is recommended as a cost-effective solution for your self-constructed ball table plate made of wood, steel sheet or other materials. Upon request, we can deliver the appropriate Ball Transfer Unit for your ball table. Ball tables can be fitted with Ball Transfer Units in the "steel sheet" series. Alternatively, they can be fitted with solid-steel units. Please refer to the specifications of each Ball Transfer Unit. Are you looking for units to be used in unique situations and are you looking to transport special goods? We will be more than glad to provide professional advice regarding the array and dimensions of the Ball Transfer Units required. Please do not hesitate to give us a call. Alternatively, you can use our contact form.



Application example: Ball Unit Sheet Steel, size 22

