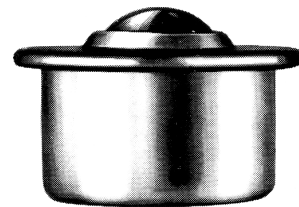
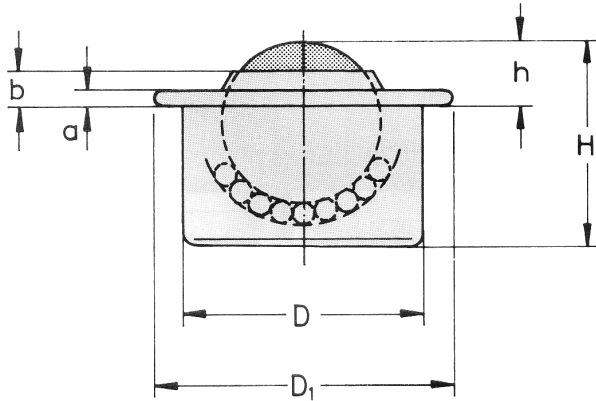


## Ball Transfer Unit with big ball and small balls stainless steel

size 15, 22, 30



execution:		C		technical data							
balls:	stainless steel	D	D1	h	H	a	b	weight	load-capacity		
housing:	zincd steel	± 0,08		± 0,3					stainless steel		
ball Ø:	catalogue no.	mm	mm	mm	mm	mm	mm	g	kg		
15 mm	00.152.00	24	31	9,5	20,7	2,8	4,8	40	40		
22 mm	00.222.00	36	45	9,8	29,5	2,8	5,5	128	100		
30 mm	00.302.00	45	55	13,8	37,5	4,0	8,3	254	200		

subject to changes

Ball Transfer Units with large and small balls made of stainless steel prevents the spreading of rust on the big ball which might otherwise spread to the goods to be conveyed. These units are used indoors in area with low humidity. Ball Transfer Units with stainless steel balls are frequently used in the food industry and in transporting sensitive steel plates.

For outdoor use, we recommend all parts stainless or Ball Transfer Units with special galvanizing housing (Airport Execution).