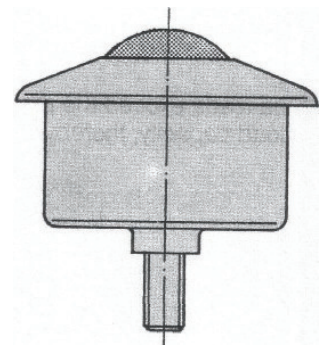


# Special Executions

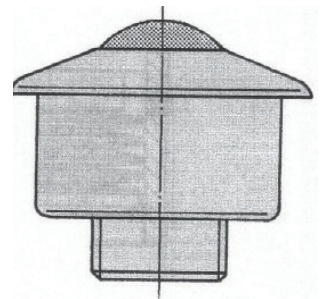
## with threaded bolt

for all sizes of type "Massive Steel"  
size of threaded bolt as desired



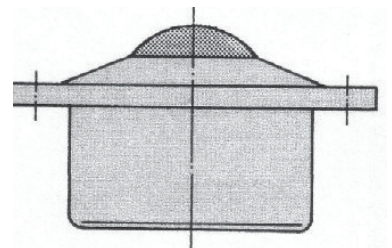
## with threaded plug

for all sizes of type "Massive Steel",  
size of threaded plug as desired



## with fixing flange (at the top) and 3 drilled holes

with type "Massive Steel" from size 22 up to size 90

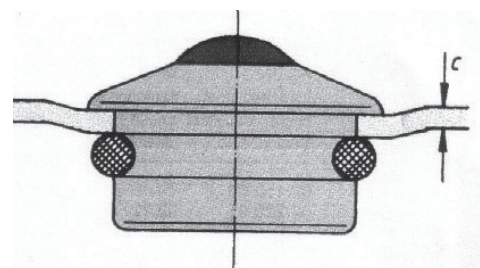


## O-ring

(only for type "Massive Steel")

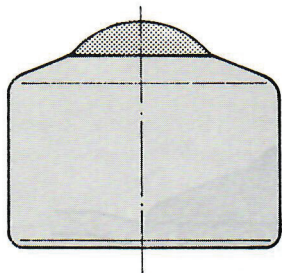
cal. no.	size big ball Ø: mm	O-ring mm	C mm
20.150.00	15	19 x 5	2
20.220.00	22	30 x 7	3
20.300.00	30	40 x 10	4
20.450.00	45	58 x 8	5

subject to changes



# Special Executions

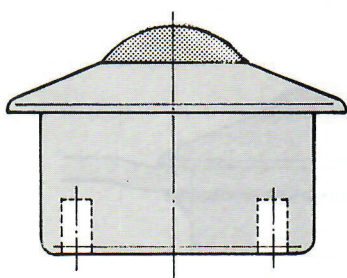
---



without collar

with type "Massive Steel" from size 22 up to size 60

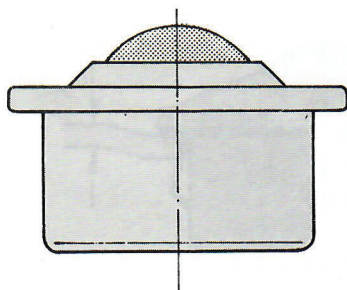
---



with 2 or 4 drilled holes in the shaft

for all sizes of type "Massive Steel"

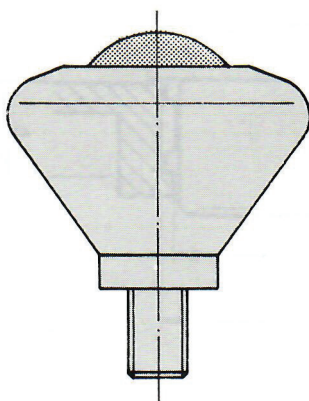
---



step-shaped type

with type "Massive Steel" from size 22 up to size 90

---



bulb-shaped with threaded bolt

with type "Massive Steel" size 22

---