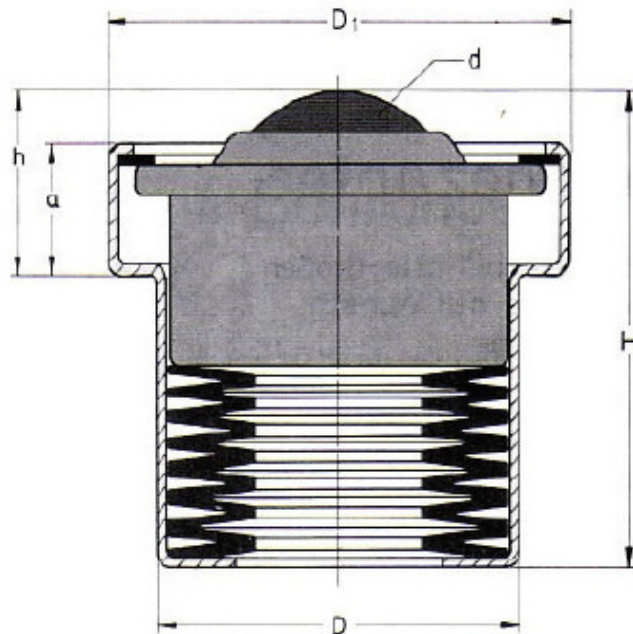


Ball Transfer Unit Spring Housing / coil spring

size 22



execution:		B	C	technical data							spring - capacity	
small balls	housing:	hardened steel	stainless steel	D	D1	h	H	a	weight	prest - ressing	load - capacity	
		zincd steel	zincd steel	- 0.2	- 02		± 0,1		g	kg ± 15 %	kg ± 15 %	
balll Ø:	catalogue no.	catalogue no.	mm	mm	mm	mm	mm	mm				
22 mm	02.221.01	02.222.01	39,0	50	18,0	51,0	14,0	212	25	45		

subject to changes

Ball Transfer Units Spring Housing allow for even load distribution in transporting goods with an uneven running surface. Should the preload force exceed the load, then the Ball Transfer Unit absorbs the end force into the spring housing. The load is absorbed flexibly. The number and distribution of Ball Transfer Units depends on the weight, size, and condition of the base area of the goods to be conveyed. In order to ensure that the base area of the load rests on Ball Transfer Units at all times, and in order to prevent it from slipping into the gaps between them, the distance between the individual ball transfer units is calculated by taking the shortest edge length and dividing it by 2.5. If the base are of the load is adaptable, you may assume that further Ball Transfer Units will be used. In these cases, the load can be divided by the number of carrying ball transfer units. This gives you the load per Ball Transfer Unit.