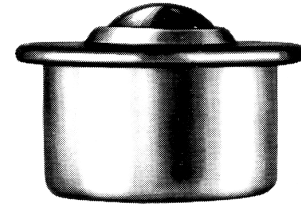
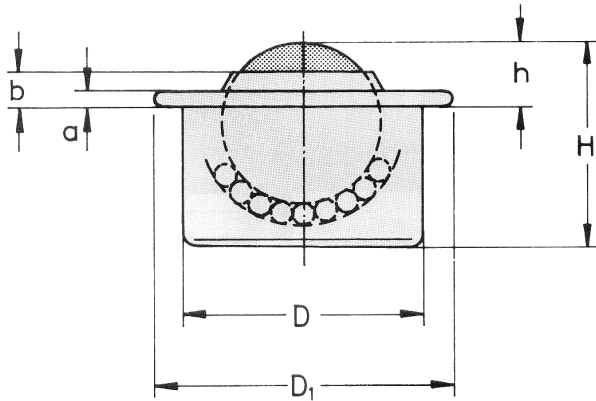


Ball Transfer Unit Sheet Steel

size 15, 22, 30



execution:	B	C	technical data								
big ball:	hardened steel	stainless steel	D	D1	h	H	a	b	weight	load-capacity	
balls:	hardened steel	stainless steel	$\pm 0,08$		$\pm 0,3$					steel	stainless
housing:	zincd steel	zincd steel	mm	mm	mm	mm	mm		g	kg	kg
ball \varnothing :	catalogue no.	catalogue no.									
15 mm	00.151.00	00.152.00	24	31	9,5	20,7	2,8	4,8	40	50	40
22 mm	00.221.00	00.222.00	36	45	9,8	29,5	2,8	5,5	128	150	100
30 mm	00.301.00	00.302.00	45	55	13,8	37,5	4,0	8,3	254	260	200

subject to changes

Ball Transfer Units Sheet Steel have good rolling properties owing to their very low frictional resistance. This reduces the work and effort required in cargo handling. Ball Transfer Units allow you to transport goods conveyed in all directions. Among other areas, these units are used in the metal-working industry and in conveyor systems. In ball and feed tables, these standard ball transfer units have proven themselves over the decades. Ball Transfer Units with steel case allow for easy fitting into a wide-tolerance bore. These units do not require an additional safety mechanism, given that their case is tapered.

The number and location of Ball Transfer Units depends on the weight to be conveyed as well as the size and the properties of the base area of the load. In order to ensure that the base area of the load fully rests on Ball Transfer Units and it does not slip into the gaps between the ball casters, the shortest edge length of the goods to be conveyed is divided by 2.5. The load divided by 3 gives the necessary load capacity per Ball Transfer Unit. An adequate security load should be added.