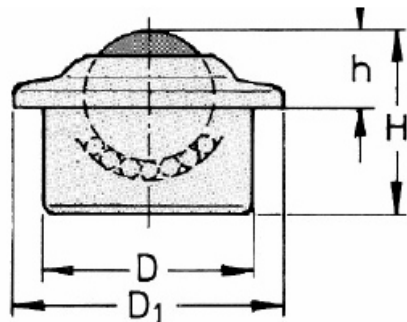
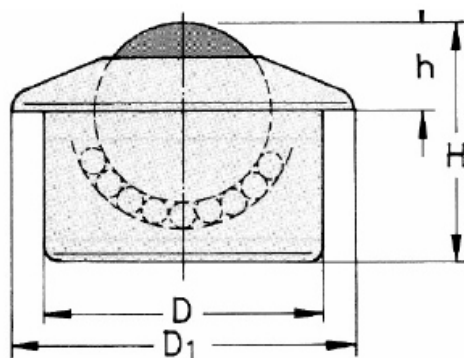


Ball Transfer Units for your Ball Caster Table

Example: Massive steel, size 15, 22, 30



Größe 15



Größe 22,30



execution:	A	B	C	technical data				weight	load-capacity	
				D	D1	h	H		steel	stainless st.
balls:	hardened steel	hardened steel	stainless steel							
housing:	bright metal st.	zincd steel	zincd steel	$\pm 0,08$		$\pm 0,4$				
ball- Ø:	catalogue no.	catalogue no.	catalogue no.	mm	mm	mm	mm	g	kg	kg
15 mm	03.150.00	03.151.00	03.152.00	24	31	9,5	21,0	60	60	50
22 mm	03.220.00	03.221.00	03.222.00	36	45	9,8	30,5	187	180	130
30 mm	03.300.00	03.301.00	03.302.00	45	55	13,8	36,8	364	350	210

subject to changes

Ball tables can be equipped with massive Ball Transfer Units. Please refer to the specifications of each Ball Transfer Unit. The solid material absorbs any shocks on the sides that may result from the good to be conveyed. Are you looking for units to be used in unique situations and are you looking to transport special goods? We will be more than glad to provide professional advice regarding the array and dimensions of the Ball Transfer Units required. Please do not hesitate to give us a call. Alternatively, you can use our contact form.

