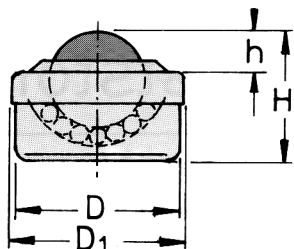


Ball Transfer Unit Massive Steel with big ball and small balls stainless steel

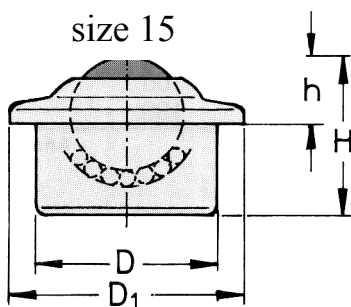
size 8 und 12



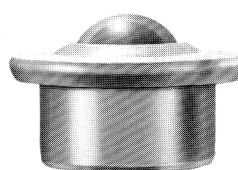
size 8 und 12



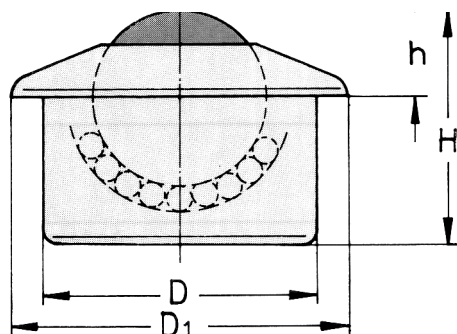
size 15



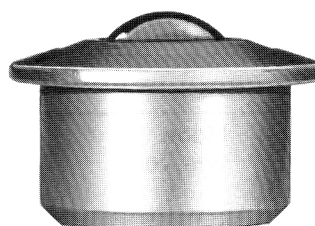
size 15



size 22, 30, 45, 60



size 22, 30, 45, 60



execution:	C	technical data					
balls:	stainless steel	D	D1	h	H	weight	load-capacity
housing:	zincd steel	± 0,08		± 0,4			stainless steel
ball- Ø:	catalogue no.	mm	mm	mm	mm	g	kg
8 mm	03.082.00	18	18	2,0	12,0	18	10
12 mm	03.122.00	22	22,2	6,0	18,0	35	15
15 mm	03.152.00	24	31,0	9,5	21,0	60	50
22 mm	03.222.00	36	45	9,8	30,5	187	130
*30 mm	03.302.00	45	55	13,8	36,8	364	210
*45 mm	03.452.00	62	75	19,0	53,5	1010	400
60 mm	03.602.00	100	117	29,5	77,5	3800	900

*with ball race of stainless steel + special galvanizing on demand/Airport Execution subject to changes

Ball Transfer Units with large and small balls made of stainless steel prevents the spreading of rust on the big ball which might otherwise spread to the goods to be conveyed. These units are used indoors in area with low humidity. Ball Transfer Units with stainless steel balls are frequently used in the food industry and in transporting sensitive steel plates. For outdoor use, we recommend all parts stainless or Ball Transfer Units with special galvanizing housing (Airport Execution).